

HXP R 120 W/17 C

HXP | Mercury short-arc lamps, long life



Product family benefits

- Very high luminance
- Elliptical reflector for efficient focusing of the light
- Long lamp life

Product family features

- AC operation with square-wave current



Product datasheet

Technical data

Electrical data

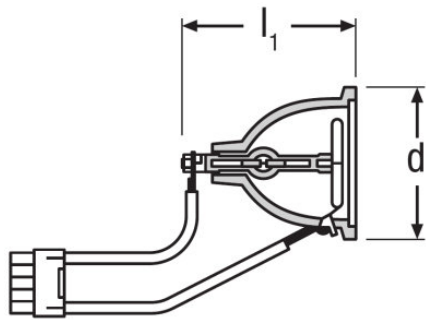
Lamp wattage	120 W
Lamp voltage	70...95 V ¹⁾
Lamp current	1.5 A
Type of current	AC
Nominal wattage	120.00 W

¹⁾ Initial voltage range

Light technical data

Focal length	17.3 mm
--------------	---------

Dimensions & weight



Diameter	65.0 mm
Length with base excl. base pins/connection	77.00 mm

Lifespan

Lifespan	2000 h
----------	--------

Additional product data

Product remark	To be operated with PT-VIP 2AC/380 O1 DIM 120 VS25
----------------	--

Capabilities

Cooling	Forced
Burning position	p20
Application	Other

Product datasheet

Safety advice

Because of their high luminance, UV radiation and high internal pressure in the hot state HXP lamps may only be operated in enclosed lamp casings specially constructed for the purpose. Mercury is released if the lamp breaks. Special safety precautions must be taken. More information is available on request or can be found in the leaflet included with the lamp or in the operating instructions.

Logistical Data

Product code	Product description	Packaging unit (Pieces/Unit)	Dimensions (length x width x height)	Volume	Gross weight
4050300786476	HXP R 120 W/17 C	Shipping carton box 50	521 mm x 246 mm x 372 mm	47.68 dm ³	5890.25 g

The mentioned product code describes the smallest quantity unit which can be ordered. One shipping unit can contain one or more single products. When placing an order, for the quantity please enter single or multiples of a shipping unit.

Disclaimer

Subject to change without notice. Errors and omission excepted. Always make sure to use the most recent release.